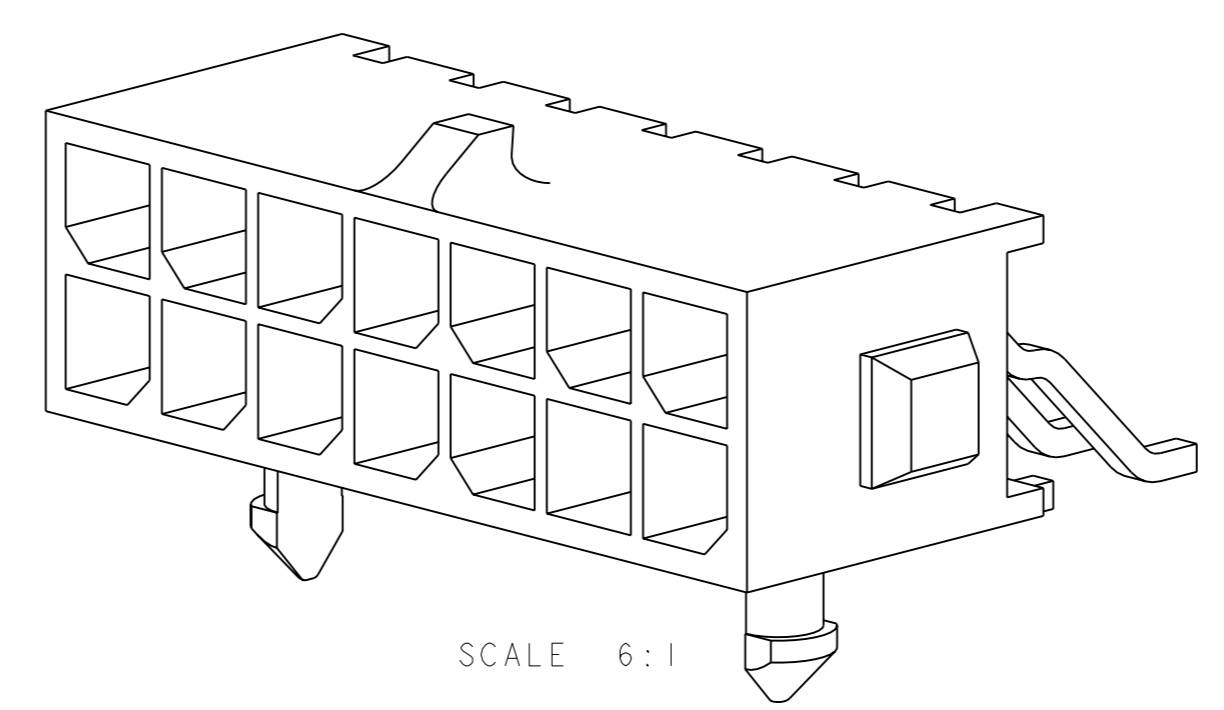
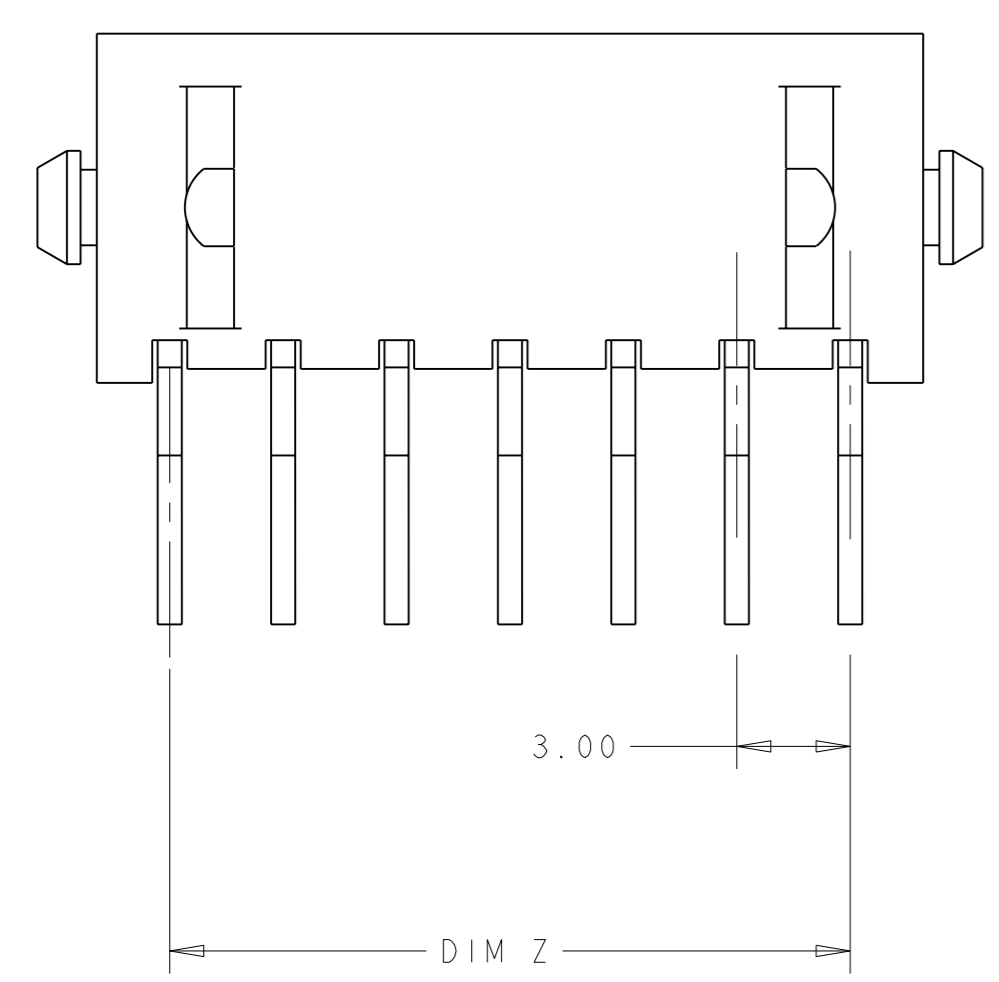
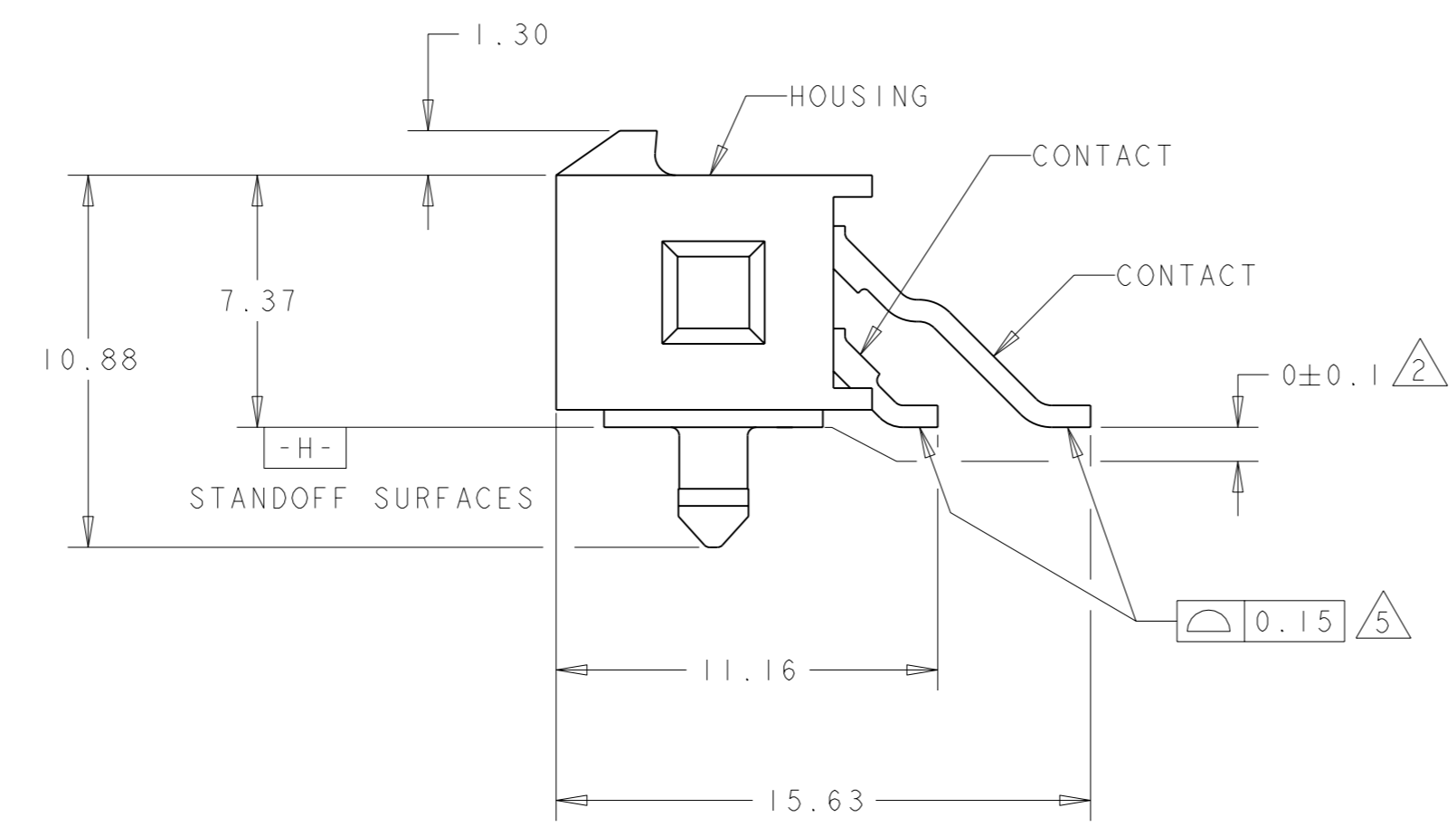
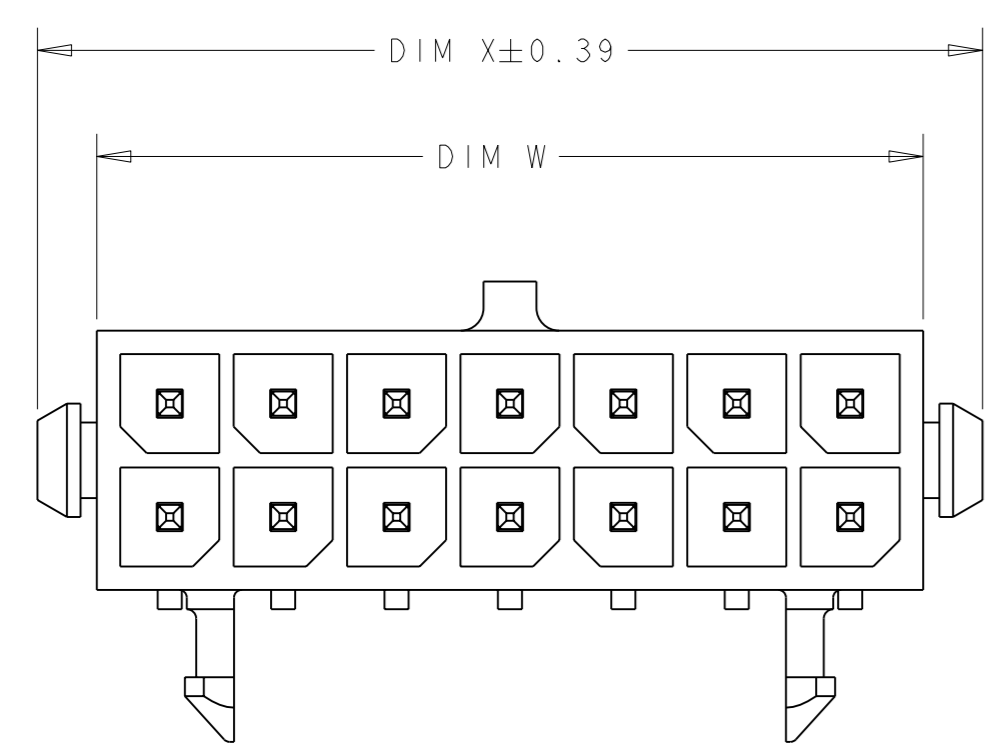
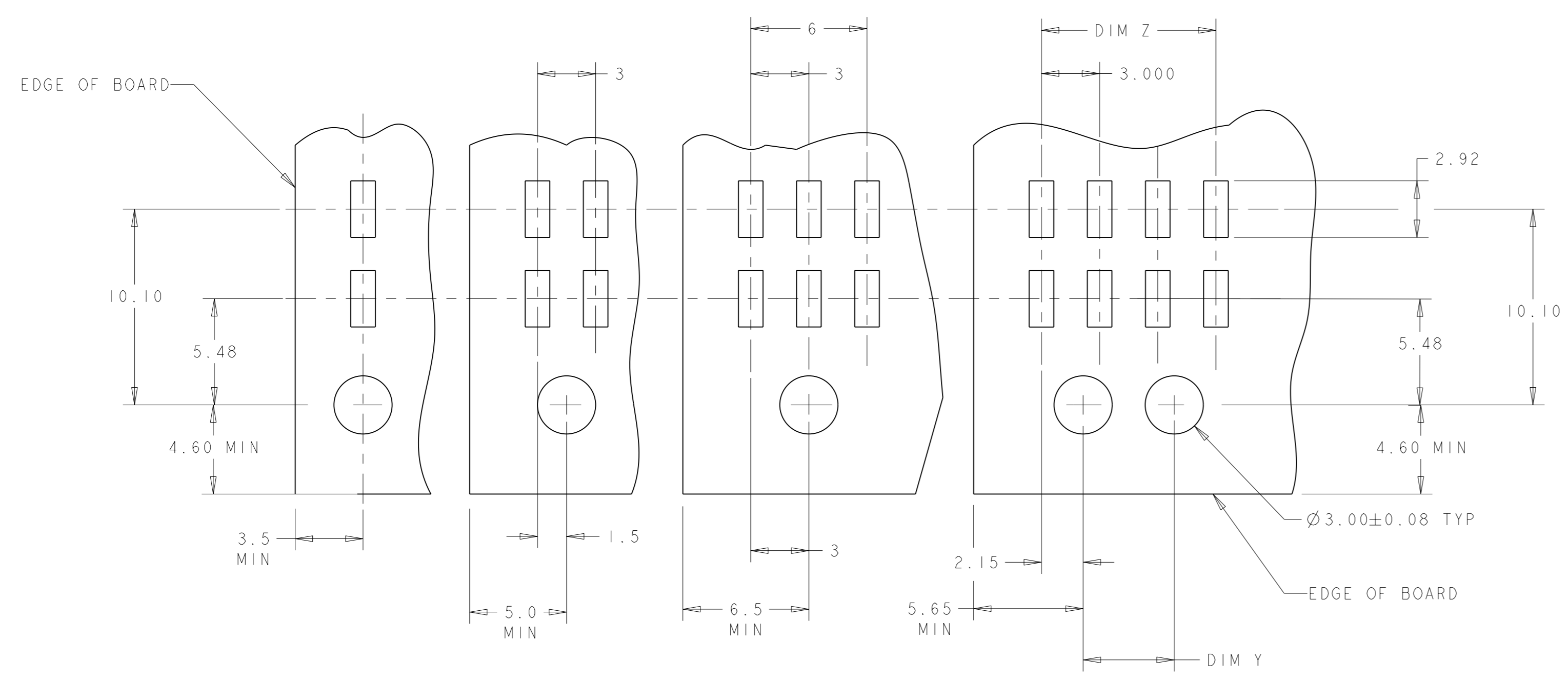


LOC		DIST		REVISIONS			
F	LYR	DESCRIPTION	DATE	DWN	APVD		
F		REVISED PER 0G3B0209-05	26-APR-05	KW	CJ		

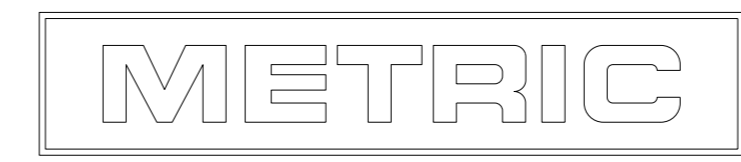
- 1 MATERIAL:
CONTACTS - BRASS.
HOUSING - UL 94V-0 RATED HIGH TEMP NYLON, COLOR; BLACK.
- 2 PLATING:
CONTACTS - 0.76µm MINIMUM GOLD OVER 2.54µm MINIMUM NICKEL ON MATING AREA. 2.54µm TIN-LEAD MINIMUM OVER 2.54µm NICKEL MINIMUM ON SOLDER TAILS.
- 3 DIMENSION APPLIES TO SOLDERTAIL SURFACES AND STANDOFF SURFACES.
- 4 RECOMMENDED PC BOARD THICKNESS OF 1.57.
- 5 ALL SOLDERTAILS.
- 6 PLATING:
CONTACTS - 0.76µm MINIMUM GOLD OVER 2.54µm MINIMUM NICKEL ON MATING AREA. 2.54µm MATTE TIN MINIMUM OVER 2.54µm NICKEL MINIMUM ON SOLDER TAILS.



FINISH	DIM W	DIM Y	DIM Z	DIM X	NO. OF POSN.	PART NUMBER
6	36.86	28.70	33.00	40.00	24	5-794623-4
6	33.86	25.70	30.00	37.00	22	5-794623-2
6	30.86	22.70	27.00	34.00	20	5-794623-0
6	27.86	19.70	24.00	31.00	18	4-794623-8
6	24.86	16.70	21.00	28.00	16	4-794623-6
6	21.86	13.70	18.00	25.00	14	4-794623-4
6	18.86	10.70	15.00	22.00	12	4-794623-2
6	15.86	7.70	12.00	19.00	10	4-794623-0
6	12.86	4.70	9.00	16.00	8	3-794623-8
6	9.86	-	6.00	13.00	6	3-794623-6
6	6.86	-	3.00	10.00	4	3-794623-4
6	3.86	-	-	7.00	2	3-794623-2
2	36.86	28.70	33.00	40.00	24	2-794623-4
2	33.86	25.70	30.00	37.00	22	2-794623-2
2	30.86	22.70	27.00	34.00	20	2-794623-0
2	27.86	19.70	24.00	31.00	18	1-794623-8
2	24.86	16.70	21.00	28.00	16	1-794623-6
2	21.86	13.70	18.00	25.00	14	1-794623-4
2	18.86	10.70	15.00	22.00	12	1-794623-2
2	15.86	7.70	12.00	19.00	10	1-794623-0
2	12.86	4.70	9.00	16.00	8	794623-8
2	9.86	-	6.00	13.00	6	794623-6
2	6.86	-	3.00	10.00	4	794623-4
2	3.86	-	-	7.00	2	794623-2



RECOMMENDED PCB LAYOUT (COMPONENT SIDE) 4



DIMENSIONS: mm		TOLERANCES UNLESS OTHERWISE SPECIFIED:		DWN: 28-JAN-2002		AMP Incorporated	
0 PLC	±	0 PLC	±	K. WHITAKER	28-JAN-2002	Harrisburg, PA 17105-3608	
1 PLC	±	1 PLC	±0.13	C. JONES	28-JAN-2002	tyco Electronics	
2 PLC	±	2 PLC	±	APVD: C. JONES 28-JAN-2002		SURFACE MOUNT, R/A, 30 GOLD HEADER, PLASTIC BOARDLOCK, DUAL ROW, MICRO MATE-N-LOK™	
3 PLC	±	3 PLC	±	PRODUCT SPEC		SIZE: A CAGE CODE: 00779 DRAWING NO: 794623	
4 PLC	±	4 PLC	±	APPLICATION SPEC		RESTRICTED TO: -	
MATERIAL: 1		FINISH: SEE TABLE		WEIGHT: -		SCALE: 5:1 SHEET 1 OF 1 REV F	